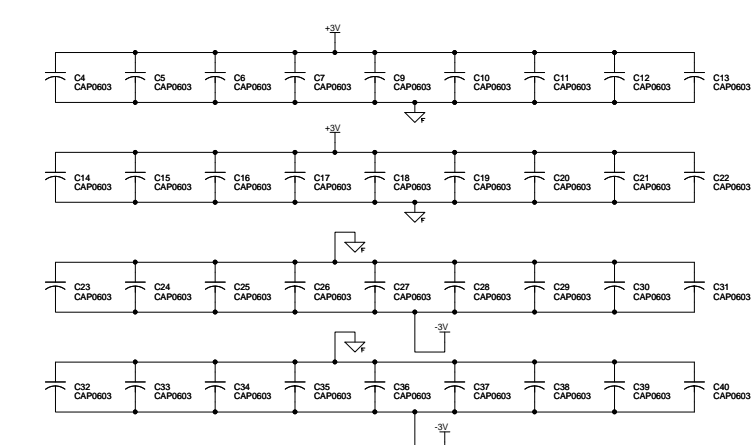
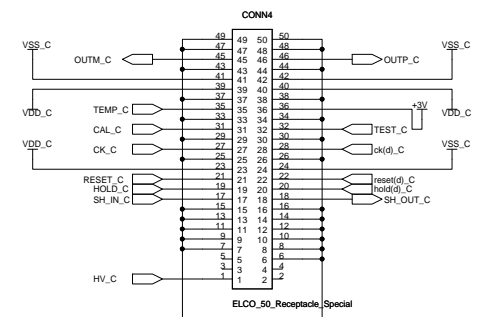
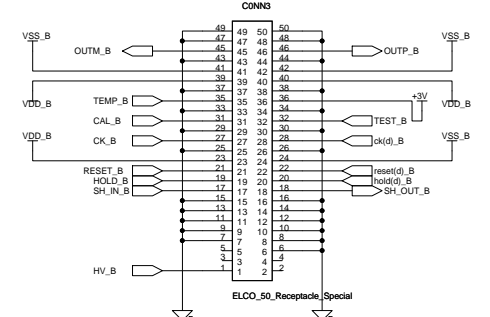
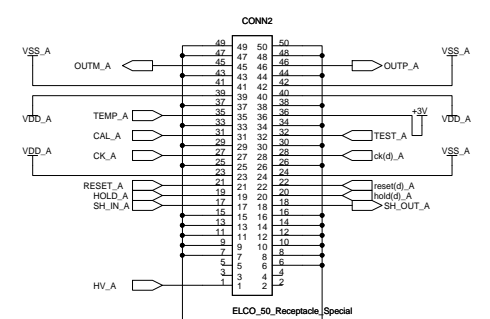
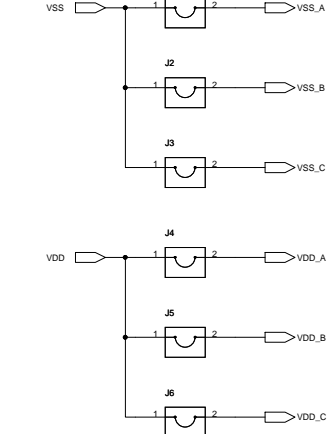


FILE THESE JUMPERS WITH THE NAMES IN THIS COLUMN



Decoupling Capacitors

VA1: Current to Voltage conversion  
400uA gives +1.5V

Single ended to differential converters for VA1 control signals.